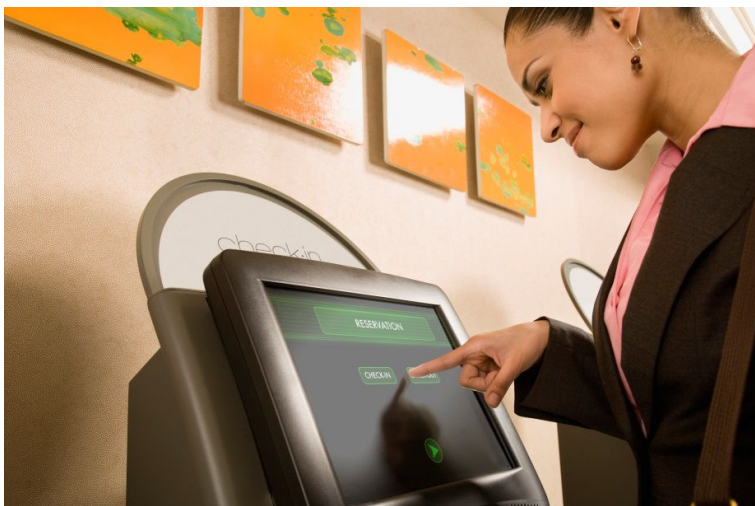


# EC2100

## ARM Quad-Core Embedded Computer

### Features

- High-performance Freescale iMX6 (ARM Cortex-A9 Quad-core) computer @ 1Ghz
- Rich interfaces, supports USB, Gb Ethernet, RS232/RS485, I<sup>2</sup>C, GPIO
- On-board 4GB Flash (eMMC)
- Light weight aluminum enclosure
- OS: Android 4.2, Linux 3.0
- 9V~36V wide range power input
- Over voltage protection (optional)
- Analog Video Input (optional)
- 3 models are available:
  - ✓ EC2100: NO LCD
  - ✓ EC2107: 7-inch LCD with touch screen
  - ✓ EC2110: 10.1-inch LCD with touch screen

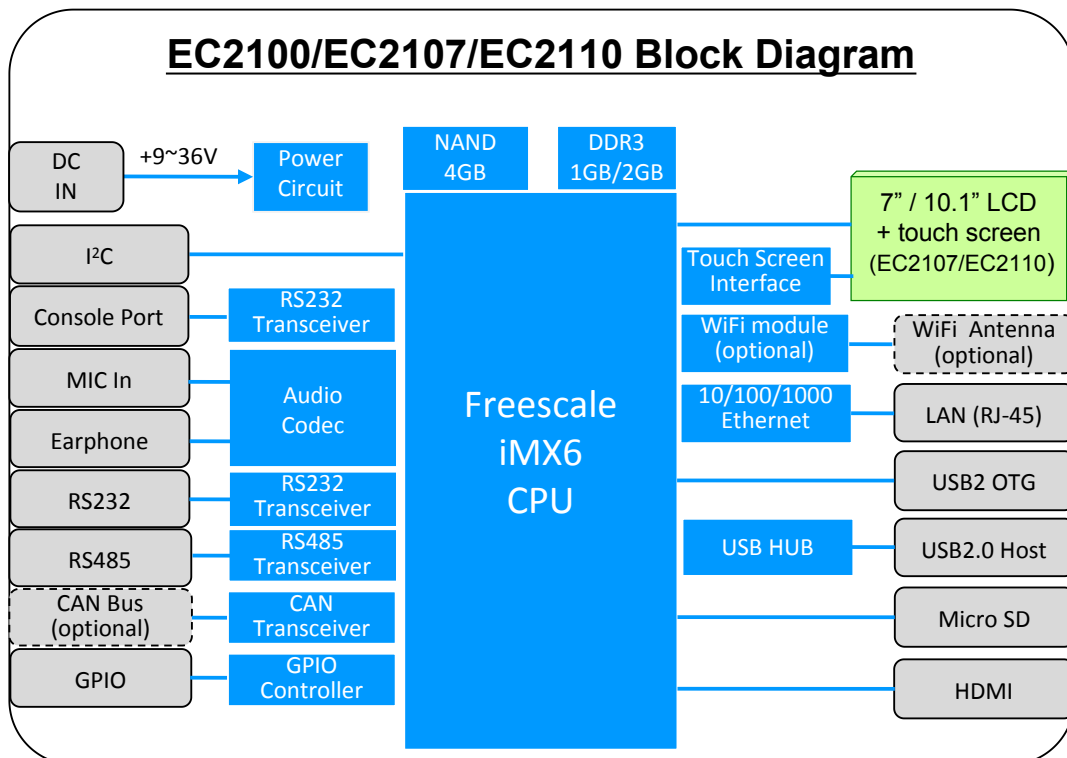


- Typical Applications:
  - HMI
  - Digital Signage
  - Thin Client
  - IoT (Internet of Things) Gateway



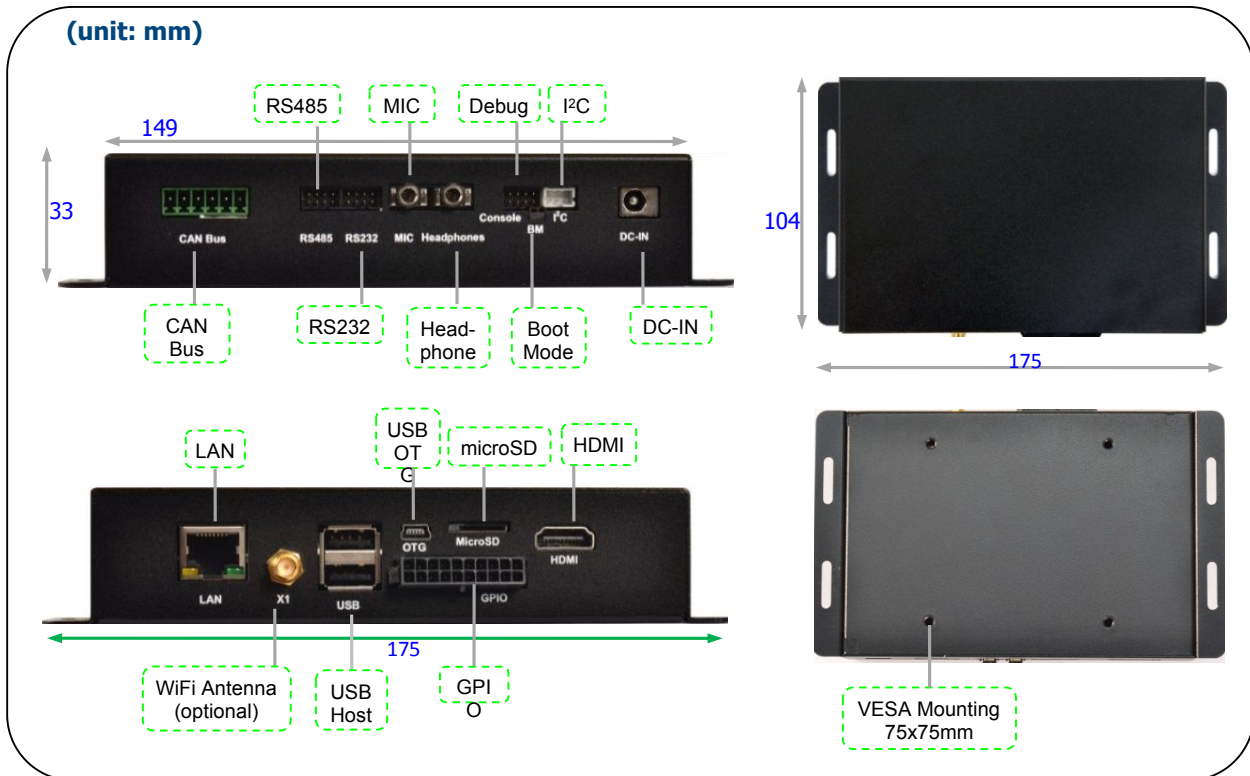
# EC2100

ARM Quad-Core  
Embedded Computer



# EC2100 : Embedded Computer without LCD

## EC2100 Dimension and I/O interfaces:



## EC2100 Specifications and Ordering Information:

Part No.	OS	CPU	RAM	CAN Bus	GPIO	Voltage Protection	Common Specifications	Dimension & Weight		
EC2100FD-QU	Linux	iMX6Q Quad-Core	2GB DDR3	NO	8-bit	NO	4GB NAND Flash, HDMI output x 1 Audio (MIC, Ear-Phone) 10/100/1000 LAN x1 USB Host x2 / USB OTG x1 RS232 x1/ RS485 x1, MicroSD x1 / I <sup>2</sup> C port x1 Power adapter (+12V) Operating: 0 °C to 60 °C	Dimension: 175 x 104 x 33 mm  Weight: 280 g		
EC2100FD-QA	Android			YES	16-bit	YES				
EC2100FD-QU-V	Linux			NO	8-bit	NO				
EC2100FD-QA-V	Android			YES	16-bit	YES				
EC2100FD-DU	Linux	iMX6D Dual-Core	1GB DDR3	NO	8-bit	NO			4GB NAND Flash, HDMI output x 1 Audio (MIC, Ear-Phone) 10/100/1000 LAN x1 USB Host x2 / USB OTG x1 RS232 x1/ RS485 x1, MicroSD x1 / I <sup>2</sup> C port x1 Power adapter (+12V) Operating: 0 °C to 60 °C	Dimension: 175 x 104 x 33 mm  Weight: 280 g
EC2100FD-DA	Android			YES	16-bit	YES				
EC2100FD-DU-V	Linux			NO	8-bit	NO				
EC2100FD-DA-V	Android			YES	16-bit	YES				

## EC2100 Optional Modules:

Part No.	Description
WLS-006	(BL-8723 WiFi + BT) + Antenna (8cm/2dBi, SMA plug reverse)

Note: Specifications are subject to change without notice



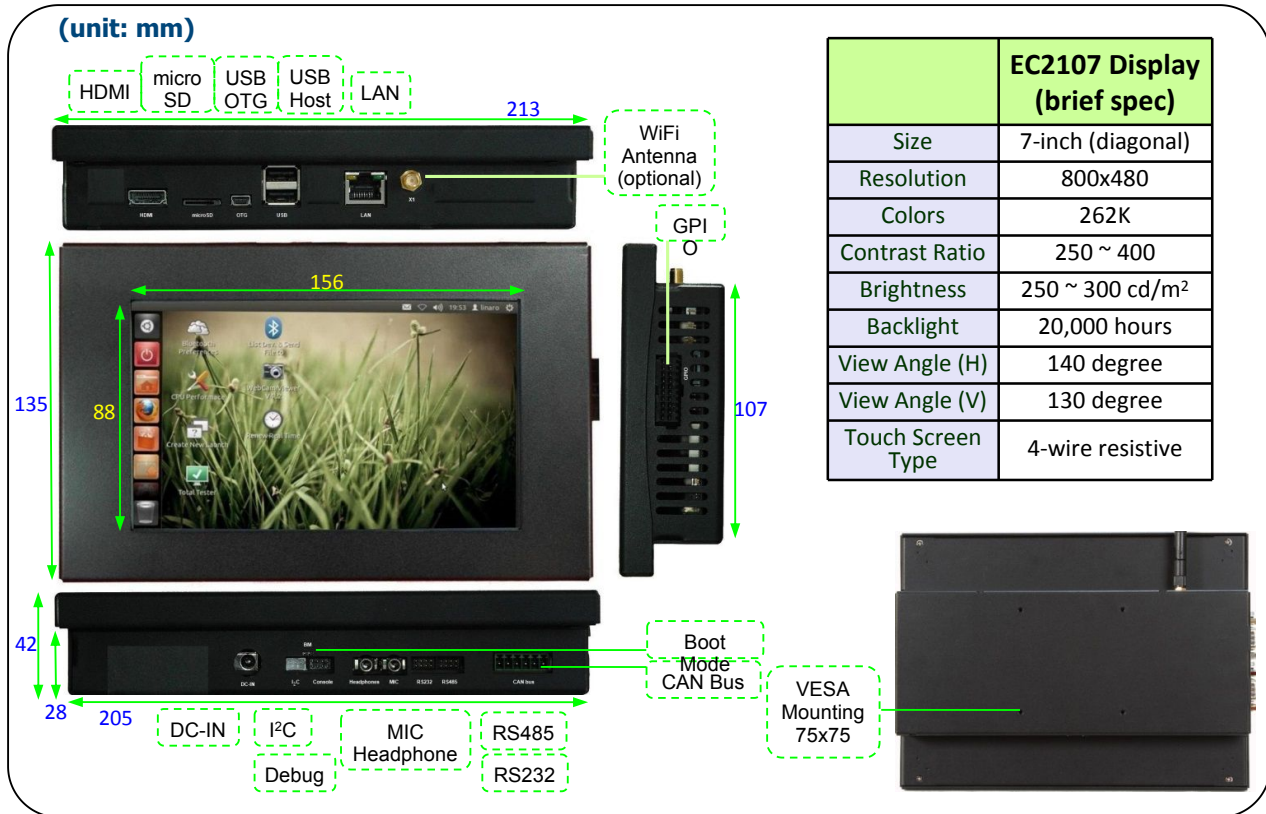
IC Nexus Co. Ltd.

sales@icnexus.com.tw

http://www.icnexus.com.tw

# EC2107 : with 7-inch Touch Screen LCD

## EC2107 Dimension and I/O interfaces:



## Specifications and Ordering Information:

Part No.	OS	CPU	RAM	CAN Bus	GPIO	Voltage Protection	Common Specification	Dimension & Weight	
EC2107WV-QUR	Linux	iMX6Q Quad-Core	2GB DDR3	NO	8-bit	NO	4GB NAND Flash, HDMI output x 1 Audio (MIC, Ear-Phone) 10/100/1000 LAN x1 USB Host x2 / USB OTG x1 RS232 x1/ RS485 x1, MicroSD x1 / I2C port x1 Power adapter (+12V) Operating: 0 °C to 60 °C	Dimension: 213 x 135 x 42 mm (*1)	
EC2107WV-QAR	Android			YES	16-bit	YES			
EC2107WV-QUR-V	Linux			NO	8-bit	NO			
EC2107WV-QAR-V	Android			YES	16-bit	YES			
EC2107WV-DUR	Linux	iMX6D Dual-Core	1GB DDR3	NO	8-bit	NO			Weight: 650 g
EC2107WV-DAR	Android			YES	16-bit	YES			
EC2107WV-DUR-V	Linux								
EC2107WV-DAR-V	Android								

## Optional Modules:

(\*1) Not including antennas

Part No.	Description
WLS-006	(BL-8723 WiFi + BT) + Antenna (8cm/2dBi, SMA plug reverse)
D100	4-ch Video capture (NTSC/PAL) module
D120	4xCOM port module (4x RS232/RS422 module)

Note: Specifications are subject to change without notice



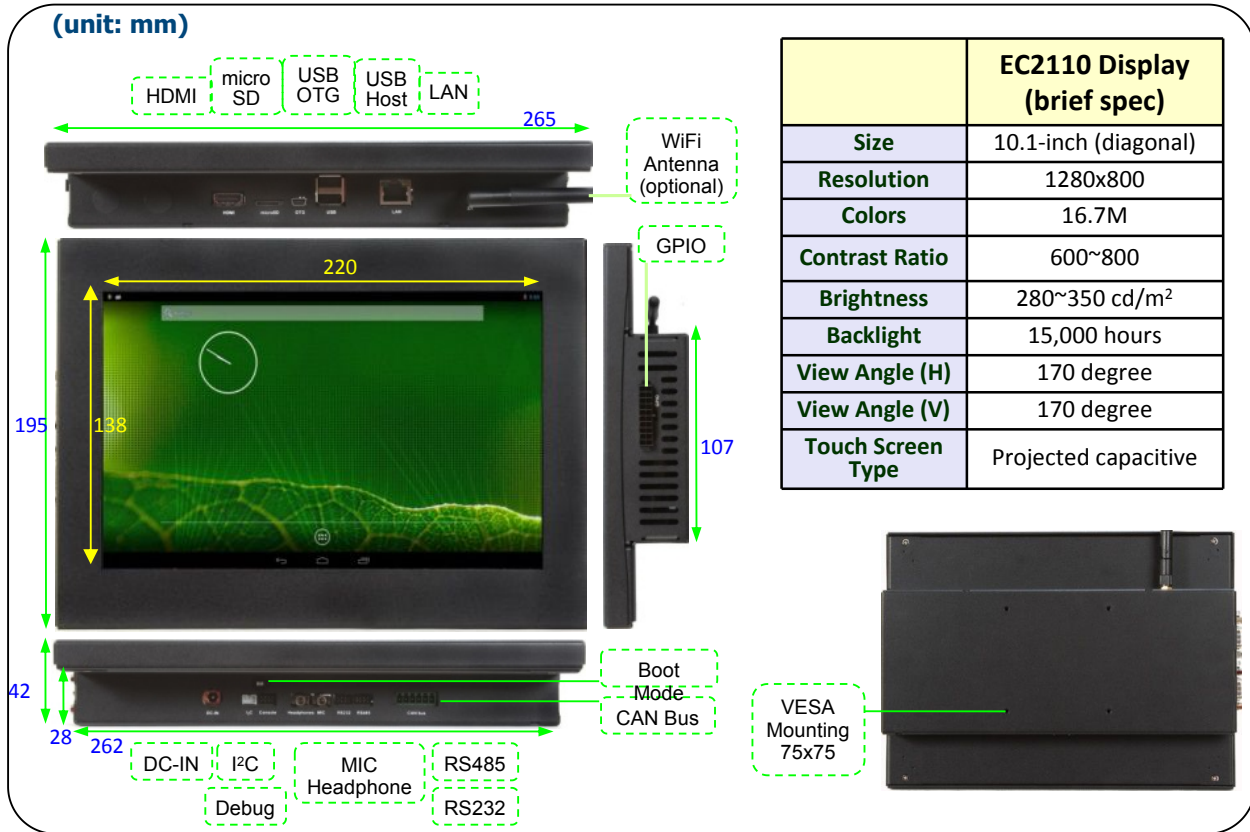
IC Nexus Co. Ltd.

sales@icnexus.com.tw

http://www.icnexus.com.tw

# EC2110 : with 10.1-inch Touch Screen LCD

## EC2110 Dimension and I/O interfaces:



## Specifications and Ordering Information

Part No.	OS	CPU	RAM	CAN Bus	GPIO	Voltage Protection	Common Specifications	Dimension & Weight		
EC2110WX-QUC	Linux	iMX6Q Quad-Core	2GB DDR3	NO	8-bit	NO	4GB NAND Flash, HDMI output x 1 Audio (MIC, Ear-Phone) 10/100/1000 LAN x1 USB Host x2 / USB OTG x1 RS232 x1/ RS485 x1, MicroSD x1 / I2C port x1 Power adapter (+12V) Operating: 0 °C to 60 °C	Dimension: 265 x 195 x 42 mm (*1)  Weight: 970 g		
EC2110WX-QAC	Android			YES	16-bit	YES				
EC2110WX-QUC-V	Linux			NO	8-bit	NO				
EC2110WX-QAC-V	Android			YES	16-bit	YES				
EC2110WX-DUC	Linux	iMX6D Dual-Core	1GB DDR3	NO	8-bit	NO				
EC2110WX-DAC	Android			YES	16-bit	YES				
EC2110WX-DUC-V	Linux			NO	8-bit	NO				
EC2110WX-DAC-V	Android			YES	16-bit	YES				

### Optional Modules:

(\*1) Not including antennas

Part No.	Description
WLS-006	(BL-8723 WiFi + BT) + Antenna (8cm/2dBi, SMA plug reverse)
D100	4-ch Video capture (NTSC/PAL) module
D120	4xCOM port module (4x RS232/RS422 module)

Note: Specifications are subject to change without notice



IC Nexus Co. Ltd.

sales@icnexus.com.tw

http://www.icnexus.com.tw