

# DC Surge Protection

## YD40K100-1000EH-A1



YD40K200EH-A1

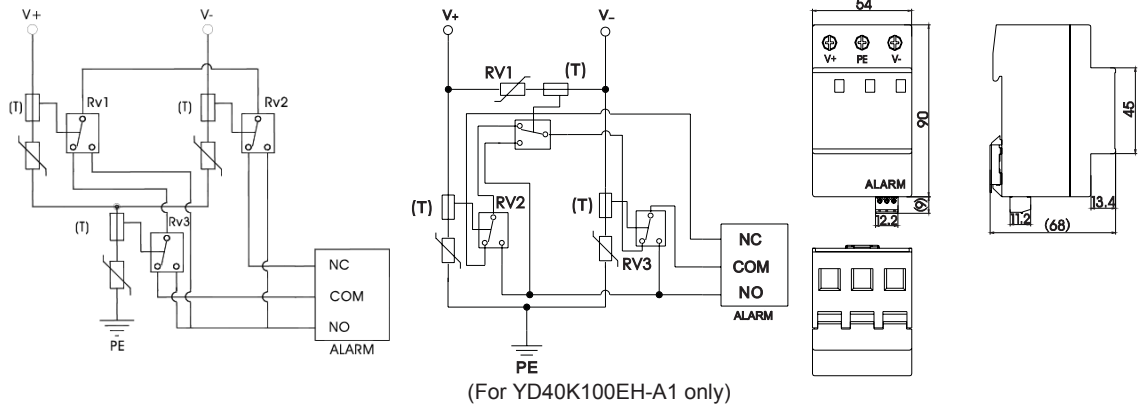
YD40K100/200/400/600/800/1000EH-A1 is a RoHS compliant, DIN rail mounted, modular surge suppression device with both common and differential mode for the protection of sensitive photovoltaic system.

### Features

- 35 mm DIN rail mounted
- Rugged MOV technology
- Fast response
- Both NO and NC alarming contact
- Rapid thermal disconnection

### Standards

- RoHS compliant
- Reinforced PA66; UL94 V-0
- Class II SPD in according with IEC 61643-1 : 2005



Model	YD40K100EH-A1	YD40K200EH-A1	YD40K400EH-A1	YD40K600EH-A1	YD40K700EH-A1	YD40K1000EH-A1
<b>Performance</b>						
Voltage of PV System	100 V DC	200 V DC	400 V DC	600 V DC	700 V DC	1000 V DC
Max Continuous Operating Voltage ( $U_{opv}$ )	110 V DC	250 V DC	400 V DC	800 V DC	950 V DC	1350 V DC
Max Discharge Current ( $I_{max}$ )	40 kA (8/20 $\mu$ s)					
Nominal Discharge Current ( $I_n$ )	20 kA (8/20 $\mu$ s)					
Voltage Protection Level ( $U_p$ )	0.8 kV	1.5 kV	2.0 kV	3 kV	3.5 kV	5 kV
In According with	IEC 61643-1 : 2005					
<b>Mechanical</b>						
Terminal Block's Capacity	6 mm <sup>2</sup> - 25 mm <sup>2</sup>					
Enclosure Rating	IP 20					
Dimensions (H x W x D)	90 mm x 54 mm x 68 mm					
Housing Material	Reinforced PA66					
<b>Environmental</b>						
Operating Temperature	-40 °C to +70 °C					
Relative Humidity	95 % non-condensing					